

Introduction to Microprocessors

Gursharan Singh Tatla

mailme@gursharansingh.in

www.eazynotes.com

Introduction to Microprocessors

- The microprocessor is one of the most important components of a digital computer.
- It acts as the brain of the computer system.
- As technology has progressed, microprocessors have become faster, smaller and capable of doing more work per clock cycle.
- Sometimes, microprocessor is written as μP .
(μ is pronounced as *Mu*)

Introduction to Microprocessors

- **Definition:**

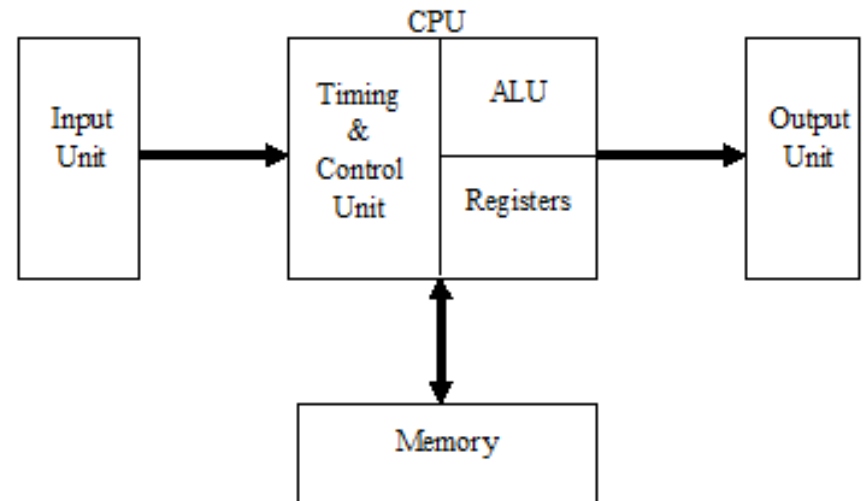
Microprocessor is the controlling unit or CPU of a micro-computer, fabricated on a very small chip capable of performing ALU operations and communicating with the external devices connected to it.

A Computer

- **A computer:**
 - Accepts the data from the user.
 - Stores the data and the set of instructions supplied by the user in memory.
 - Processes the data according to the instructions in the processing unit.
 - Communicates the result to the user or stores it for further reference.

A Computer

- A computer has the following units:
 - Input Unit
 - Output Unit
 - Memory Unit
 - Central Processing Unit



A Computer

- **INPUT UNIT**

- The input unit consists of the devices which accept the data and instructions from the user and communicates it to the CPU.
- The various input devices are: keyboard, mouse, joystick, trackball etc.

- **OUTPUT UNIT**

- It provides the result of the various operations performed by the CPU to the user.
- The various output devices are: printers, monitors, loudspeakers etc.

A Computer

- **CENTRAL PROCESSING UNIT (CPU)**

- The CPU is the heart and nerve centre of the computer.
- It fetches the instruction and data from the peripheral devices and performs all the arithmetic operations, takes logical decision and control the operation of all other units.
- Various sub-blocks of the central processing unit are:
 - Arithmetic and Logic Unit (ALU)
 - Timing & Control Unit
 - Registers

A Computer

- **ARITHMETIC AND LOGIC UNIT (ALU)**

- This unit perform all the logical and arithmetic operations.
- Various arithmetic operations are: addition, subtraction, increment and decrement etc.
- Various logical operations are: AND, OR, NOT, XOR, etc.

- **TIMING AND CONTROL UNIT**

- This unit controls the entire operations being performed by the system.
- It controls the operations of ALU, input/output devices and memory unit.
- This unit interprets the instructions and generates various timing and control signals.

- **REGISTERS**

- A register is a very small amount of very fast memory that is built into the CPU in order to store the current data and instructions which are being executed by the CPU.

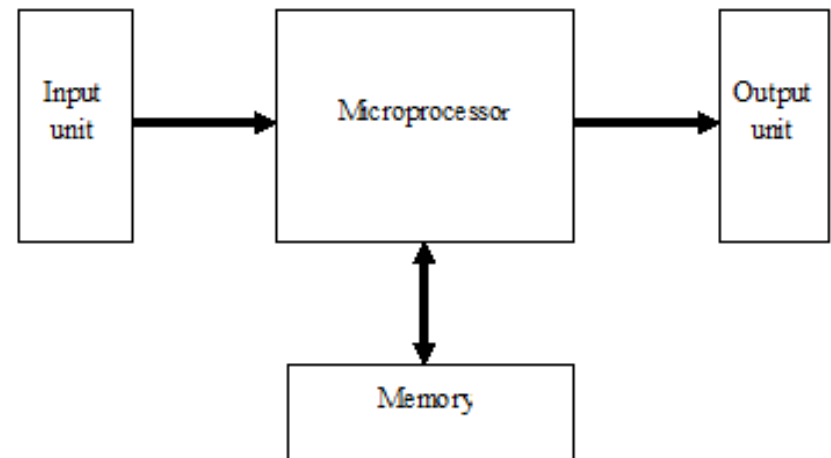
A Computer

- **MEMORY UNIT**

- It stores the program statement and the data i.e. the information supplied from the input unit.
- It also stores the final output.
- This is connected to the CPU by means of a bidirectional bus.
- The CPU processes the information as taken from the memory and performs the operations in the ALU section.
- The results are either transferred to the output unit or stored in the memory for later use by the CPU.

A Micro-Computer

- As the name implies, microcomputers are small computers.
- The block diagram of the microcomputer is similar to the computer except that the central processing unit of the microcomputer is contained in a single IC called the microprocessor.



A Micro-Computer

- A microprocessor is a LSI (Large Scale Integration) IC that does almost all the functions of the CPU.
- It is also defined as a CPU contained in a single chip.
- The basic function of the microprocessor is:
 - to fetch the instructions stored in the main memory
 - identify the operations and the devices involved in it
 - and accordingly generate control signals to determine when a given action is to take place.
- We can say that a computer with a microprocessor as its CPU, is known as **Microcomputer**.

Some Definitions

- **Microprocessor:**

- The central processing unit built on a single IC is called Microprocessor.
- A microprocessor (sometimes abbreviated as μP) is a digital electronic component with miniaturized transistors on a single semiconductor integrated circuit (IC).
- One or more microprocessors typically serve as a central processing unit (CPU) in a computer system or handheld device.

Some Definitions

- **Microcomputer:**

- A digital computer, in which one microprocessor has been provided to act as a CPU, is called Microcomputer.
- A desktop computer, laptop, notebook, palmtop, etc. contain one microprocessor to act as a CPU and hence they come under the category of microcomputer.
- The term microcomputer is generally synonymous with personal computer.

Some Definitions

- **Multiprocessor System:**
 - The CPU of a large powerful digital computer contains more than one microprocessor.
 - High-end powerful servers, mainframe computers, supercomputers, etc. contain more than one microprocessor to act as CPU.
 - A computer whose CPU contains more than one microprocessor is called Multiprocessor System.

Some Definitions

- **Microcontroller:**

- A highly integrated chip that contains all the components such as CPU, RAM, some form of ROM, I/O ports, and timers is called Microcontroller.
- Unlike a general-purpose computer, which also includes all of these components, a microcontroller is designed for a very specific task to control a particular system.

Microprocessor Characteristics

- **Instruction Set:**

- The set of instructions that a microprocessor can understand.

- **Bandwidth:**

- The number of bits processed in a single instruction.

- **Capability:**

- It depends upon the number of instructions and capability of each instruction.

Microprocessor Characteristics

- **Clock Speed:**

- The clock speed determines how many operations per second the processor can perform.
- It is also called **Clock Rate**.
- Every computer contains an internal clock that regulates the rate at which instructions are executed and synchronizes the various computer components.
- The faster the clock, the more instructions the CPU can execute per second.
- Clock speeds are expressed in megahertz (MHz) or gigahertz (GHz).
- The microprocessors of personal computers have clock speeds of anywhere from 300 MHz to over 3.8 GHz.

Microprocessor Characteristics

- **Word Length:**

- It depends upon the width of internal data bus, registers, ALU etc.
- An 8-bit microprocessor can process 8 bit data at a time.
- A processor with longer word length is more powerful and can process data at a faster speed as compared to processor with shorter word length.
- The word length ranges from 4 bits for small microprocessor, to 64 bits for high-end microcomputers.

Microprocessor Characteristics

- **Width of Data Bus:**

- This is the size of the data bus. It defines the number of bits that can be transferred through data bus.

- **Width of Address Bus:**

- This parameter decides the memory addressing capability of the microprocessor. The maximum size of the memory unit is decided by this parameter.

- **Input/Output Addressing Capability:**

- The maximum number of the input/output ports accessed by the microprocessor depends upon the width of the input/output address provided in the input/output instruction.

Microprocessor Characteristics

- **Data Types:**

- The microprocessor handles various types of data formats like binary, BCD, ASCII, signed and unsigned numbers.

- **Interrupt Capability:**

- Interrupts are used to handle unpredictable and random events in the microcomputer.
- It is used to interrupt the microprocessor.
- Interrupt driven input/output improves the throughput of a system.

Features of Microprocessor

- **Cost:**

- The most important feature of a microcomputer is its low cost.
- Because of the widespread use of microprocessors, the volume of production is very high.
- That is why, microprocessor chips are available at fairly low prices.

- **Size:**

- The second important feature of a microprocessor is its small size.
- As a result of improvement in fabrication technology, VLSI, electronic circuitry has become so dense that a minute silicon chip can contain hundred and thousands of transistors.

Features of Microprocessor

- **Power Consumption:**

- Another important feature is its low power consumption.
- Microprocessors are normally manufactured by Metal-Oxide semiconductor technology, which has the feature of low power consumption.

- **Versatility:**

- The microprocessors are versatile.
- Keeping the same basic hardware, a microprocessor-based system can be configured for a number of applications by simply altering the software program.

- **Reliability:**

- Another important property of microprocessors is its extreme reliability.
- It has been established that the failure rate of an IC is fairly uniform at the package level, regardless of its complexity.

Micron

- A unit of length equal to one millionth of a meter.
- It is denoted by μ (Mu).
- For Example:
 - If we pluck a hair from the head, it is very thin.
 - But a hair is more than 2000 times wider than a transistor on a microprocessor.
 - Wires between transistors are even thinner.
 - They're more than 4000 times thinner than a hair.
 - A hair is about 100 microns in diameter.
 - That means, a transistor is just 0.045 microns wide.

Thank You



Have a Nice Day